

TABLE 3
Vertical downturn bend for DI-K9 pipe

Table with 10 columns: Pipe dia (mm), Pipe OD (mm), Angle (degrees), A (mm), B (mm), C (mm), D (mm), E (mm). Rows include pipe sizes 150, 200, 250, 300, 350.

Table with 10 columns: Pipe dia (mm), Pipe OD (mm), Angle (degrees), A (mm), B (mm), C (mm), D (mm), E (mm). Rows include pipe sizes 63, 75, 90, 110, 125.

Table with 10 columns: Pipe dia (mm), Pipe OD (mm), Angle (degrees), A (mm), B (mm), C (mm), D (mm), E (mm). Rows include pipe sizes 63, 110, 140.

Table with 10 columns: Pipe dia (mm), Pipe OD (mm), Angle (degrees), A (mm), B (mm), C (mm), D (mm), E (mm). Rows include pipe sizes 63, 75, 90.

Table with 10 columns: Pipe dia (mm), Pipe OD (mm), Angle (degrees), A (mm), B (mm), C (mm), D (mm), E (mm). Rows include pipe sizes 63, 75, 90.

Table with 10 columns: Pipe dia (mm), Pipe OD (mm), Angle (degrees), A (mm), B (mm), C (mm), D (mm), E (mm). Rows include pipe sizes 63, 75, 90, 110, 125, 140.

Table with 10 columns: Pipe dia (mm), Pipe OD (mm), Angle (degrees), A (mm), B (mm), C (mm), D (mm), E (mm). Rows include pipe sizes 63, 75, 90, 110, 125, 140.

Table with 10 columns: Pipe dia (mm), Pipe OD (mm), Angle (degrees), A (mm), B (mm), C (mm), D (mm), E (mm). Rows include pipe sizes 63, 75, 90, 110, 125, 140.

TABLE 2
Vertical upturn bend for DI-K9 pipe

Table with 10 columns: Pipe dia (mm), Pipe OD (mm), Angle (degrees), A (mm), B (mm), C (mm), D (mm), E (mm). Rows include pipe sizes 150, 200, 250, 300, 350.

Table with 10 columns: Pipe dia (mm), Pipe OD (mm), Angle (degrees), A (mm), B (mm), C (mm), D (mm), E (mm). Rows include pipe sizes 63, 75, 90, 110, 125.

Table with 10 columns: Pipe dia (mm), Pipe OD (mm), Angle (degrees), A (mm), B (mm), C (mm), D (mm), E (mm). Rows include pipe sizes 63, 110, 140.

Table with 10 columns: Pipe dia (mm), Pipe OD (mm), Angle (degrees), A (mm), B (mm), C (mm), D (mm), E (mm). Rows include pipe sizes 63, 75, 90.

Table with 10 columns: Pipe dia (mm), Pipe OD (mm), Angle (degrees), A (mm), B (mm), C (mm), D (mm), E (mm). Rows include pipe sizes 63, 75, 90.

Table with 10 columns: Pipe dia (mm), Pipe OD (mm), Angle (degrees), A (mm), B (mm), C (mm), D (mm), E (mm). Rows include pipe sizes 63, 75, 90, 110, 125, 140.

Table with 10 columns: Pipe dia (mm), Pipe OD (mm), Angle (degrees), A (mm), B (mm), C (mm), D (mm), E (mm). Rows include pipe sizes 63, 75, 90, 110, 125, 140.

Table with 10 columns: Pipe dia (mm), Pipe OD (mm), Angle (degrees), A (mm), B (mm), C (mm), D (mm), E (mm). Rows include pipe sizes 63, 75, 90, 110, 125, 140.

TABLE 1
Horizontal bend for DI-K9 pipe

Table with 10 columns: Pipe dia (mm), Pipe OD (mm), Angle (degrees), A (mm), B (mm), C (mm), D (mm), E (mm), F (mm), G (mm), H (mm). Rows include pipe sizes 150, 200, 250, 300, 350.

Table with 10 columns: Pipe dia (mm), Pipe OD (mm), Angle (degrees), A (mm), B (mm), C (mm), D (mm), E (mm), F (mm), G (mm), H (mm). Rows include pipe sizes 63, 75, 90, 110, 125.

Table with 10 columns: Pipe dia (mm), Pipe OD (mm), Angle (degrees), A (mm), B (mm), C (mm), D (mm), E (mm), F (mm), G (mm), H (mm). Rows include pipe sizes 63, 75, 90, 110, 125.

Table with 10 columns: Pipe dia (mm), Pipe OD (mm), Angle (degrees), A (mm), B (mm), C (mm), D (mm), E (mm), F (mm), G (mm), H (mm). Rows include pipe sizes 63, 75, 90, 110, 140.

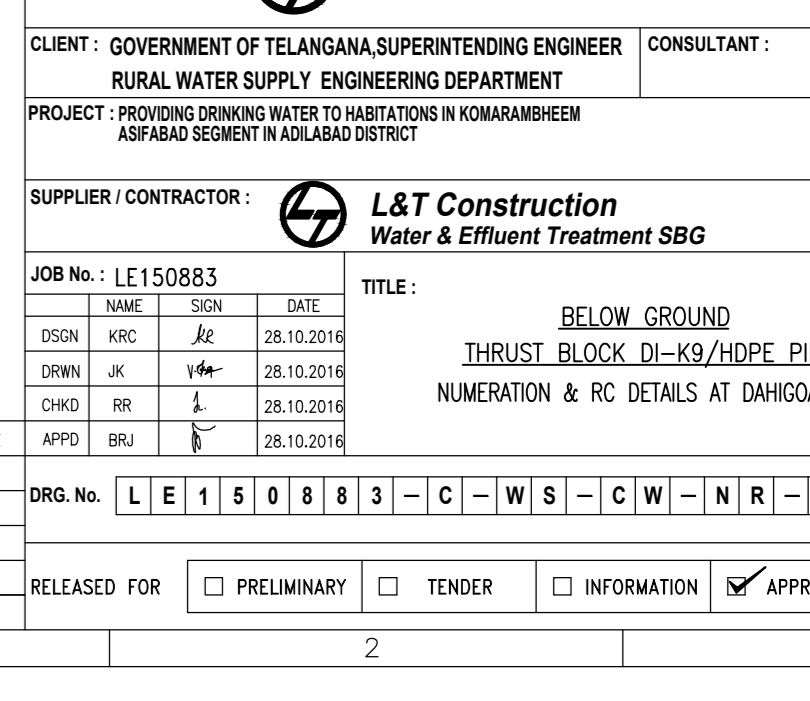
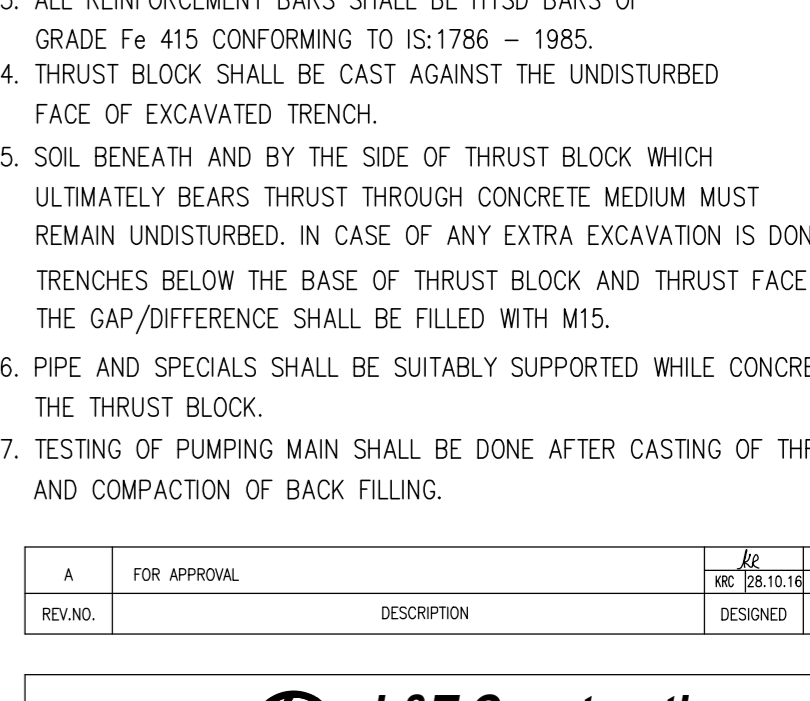
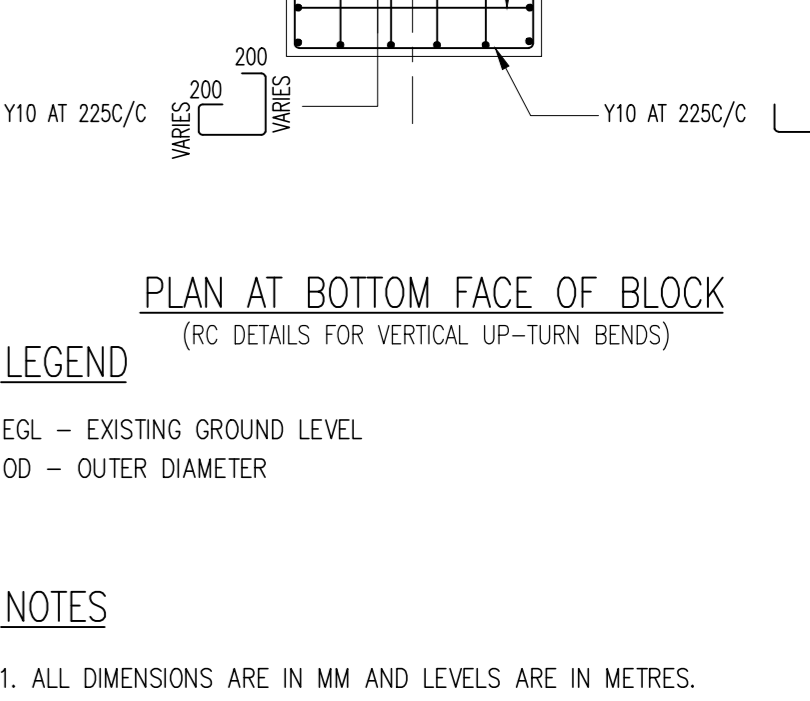
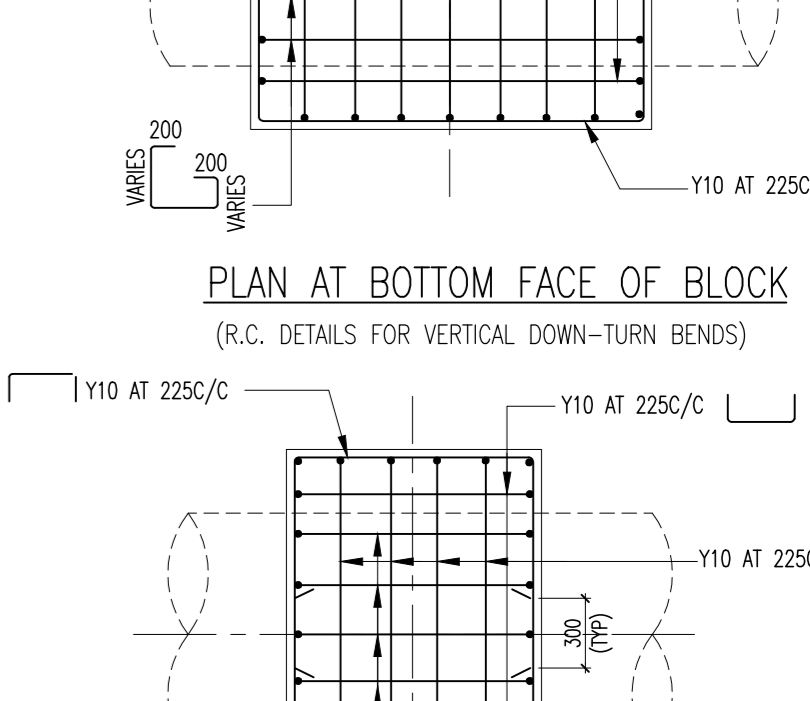
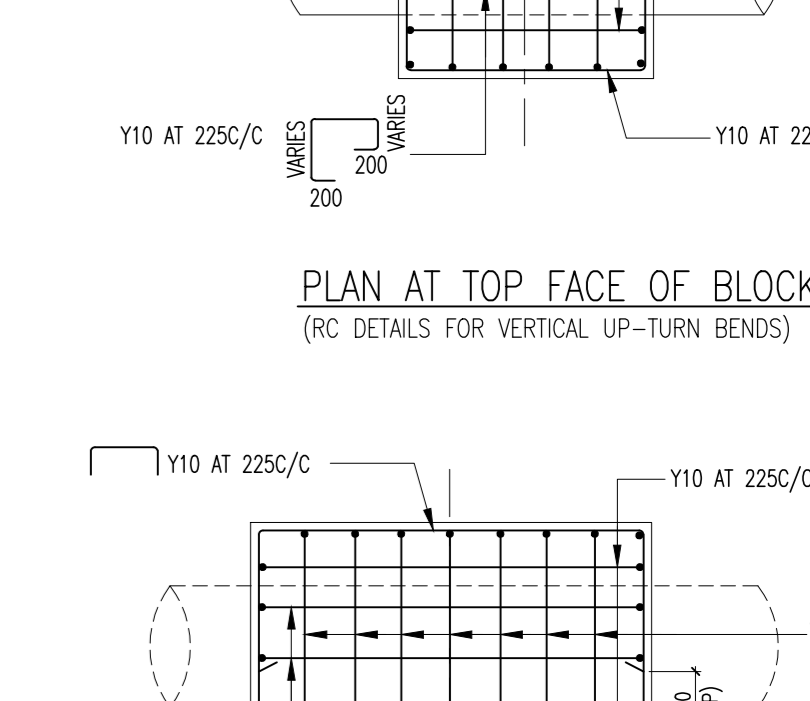
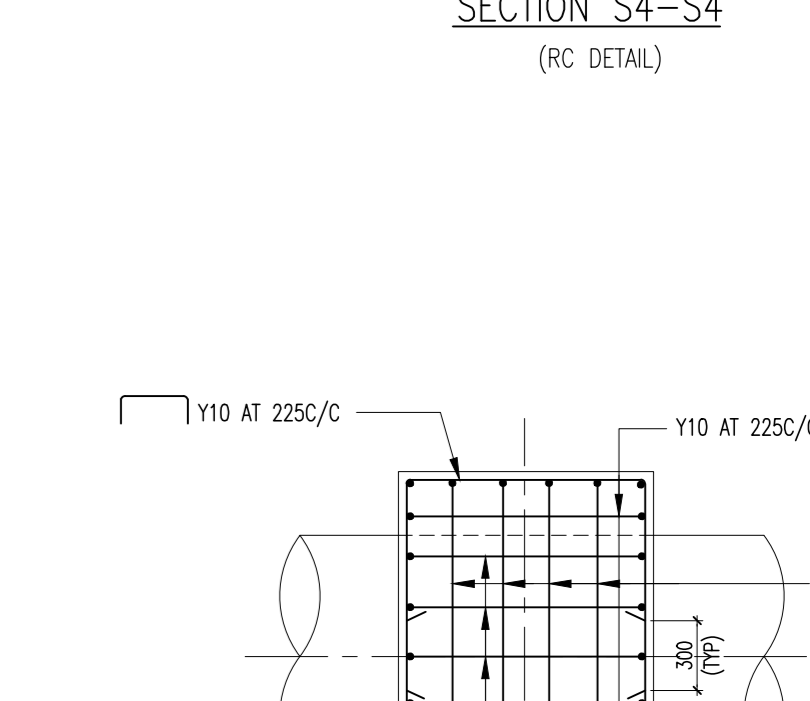
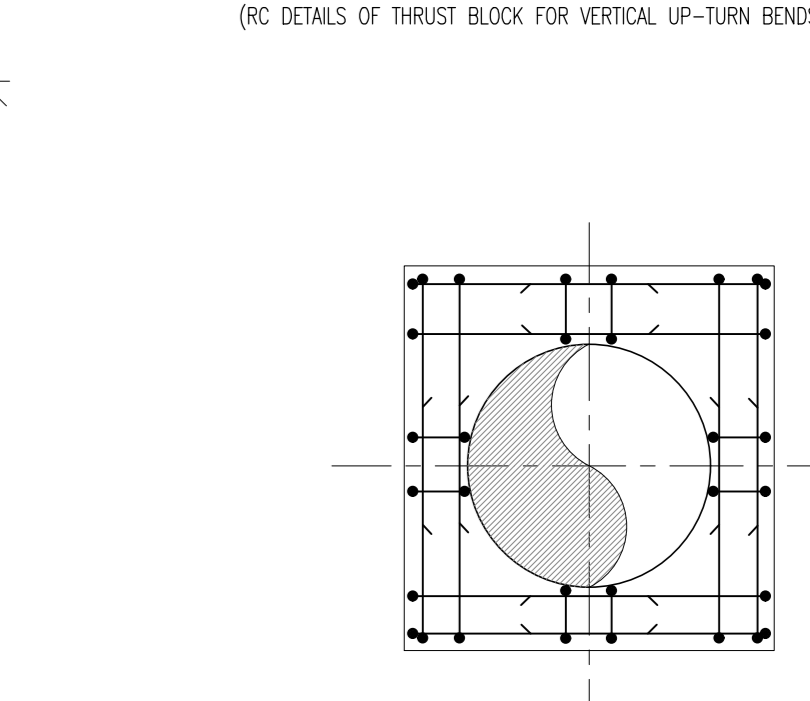
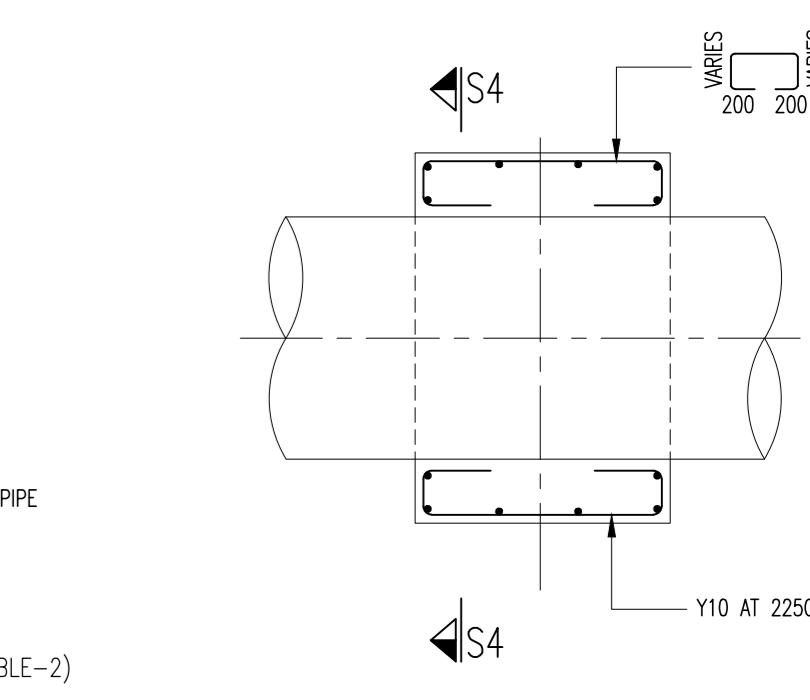
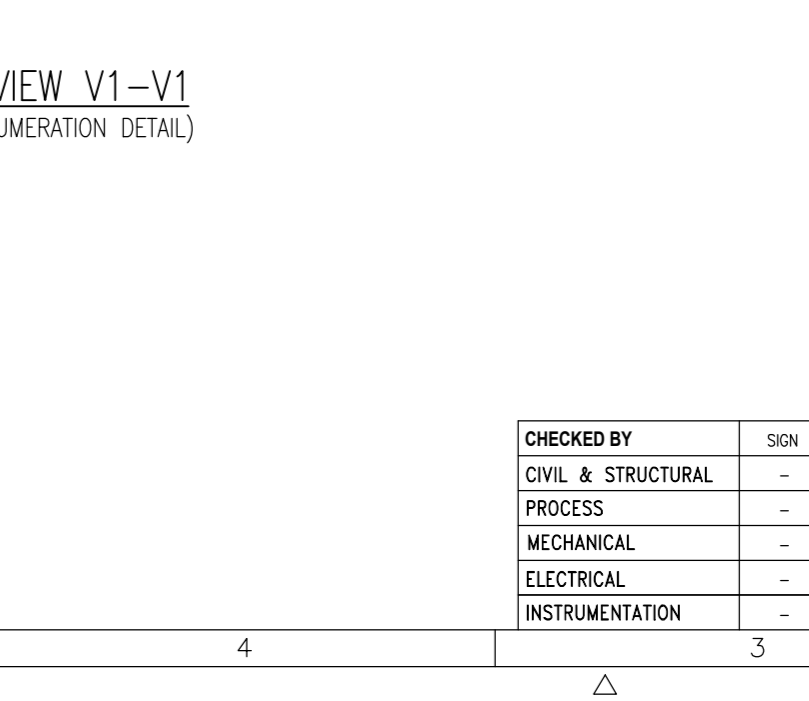
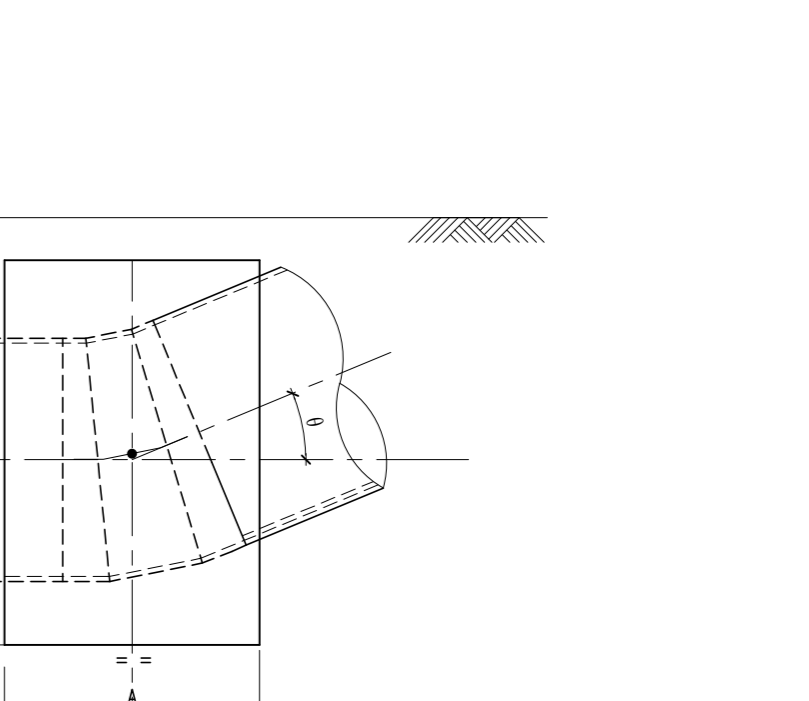
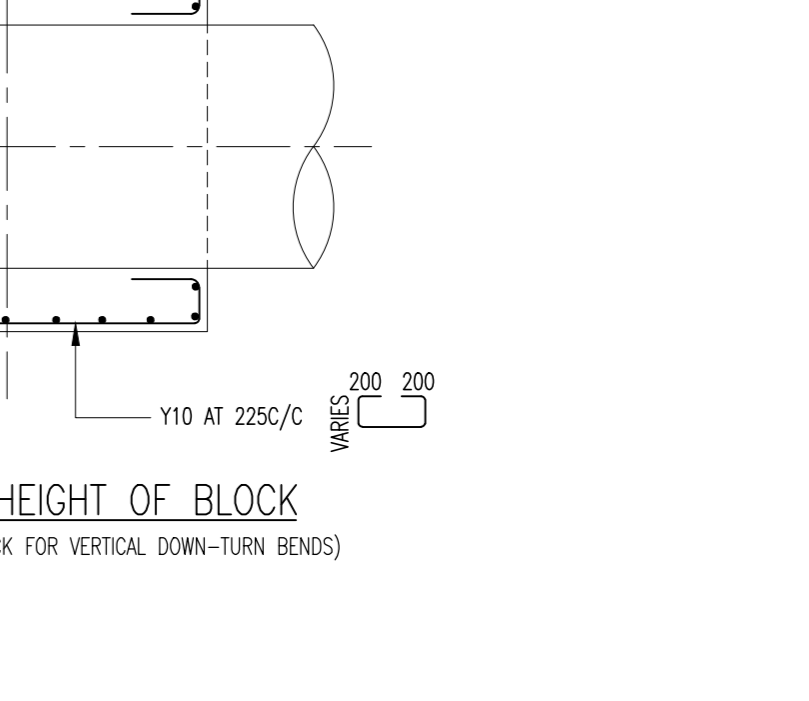
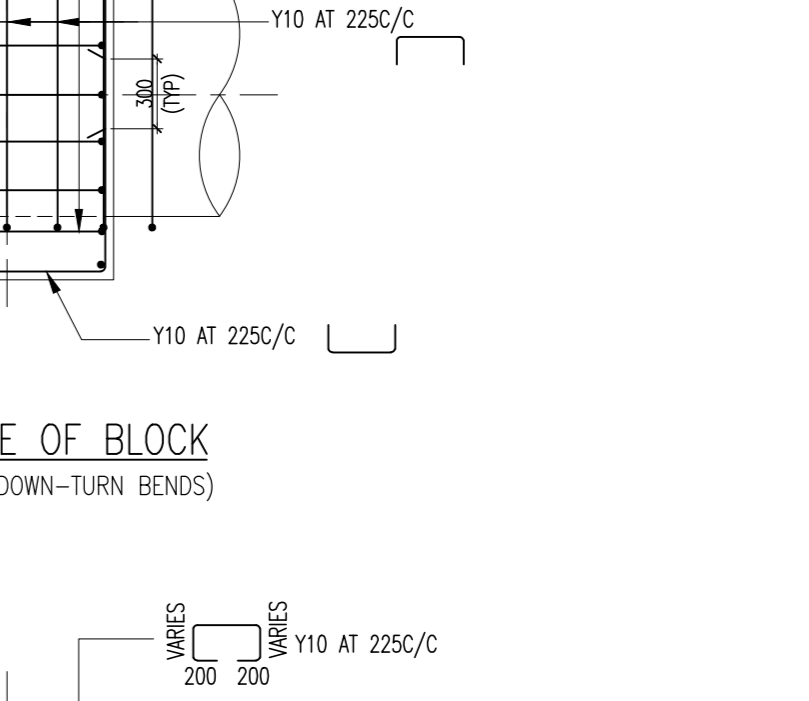
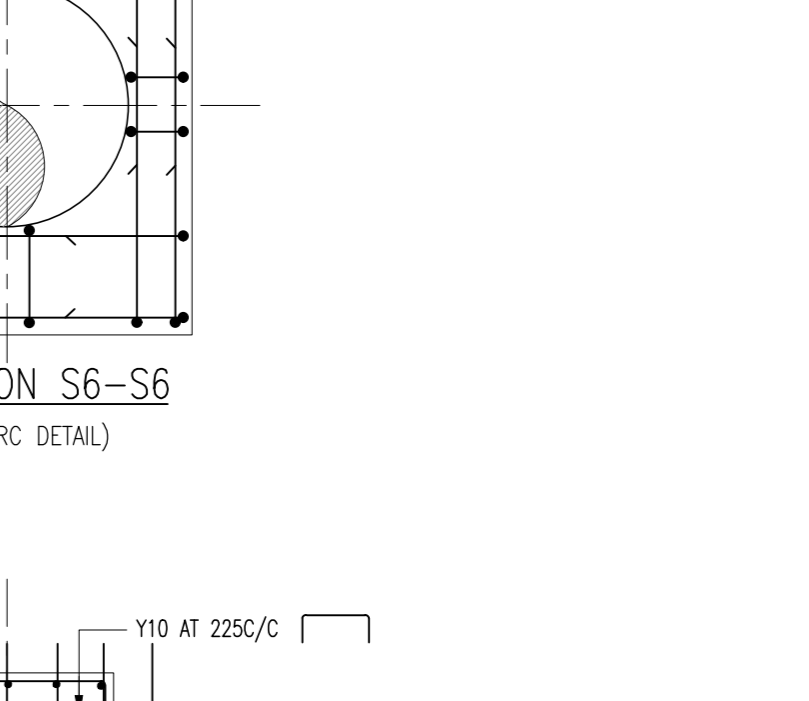
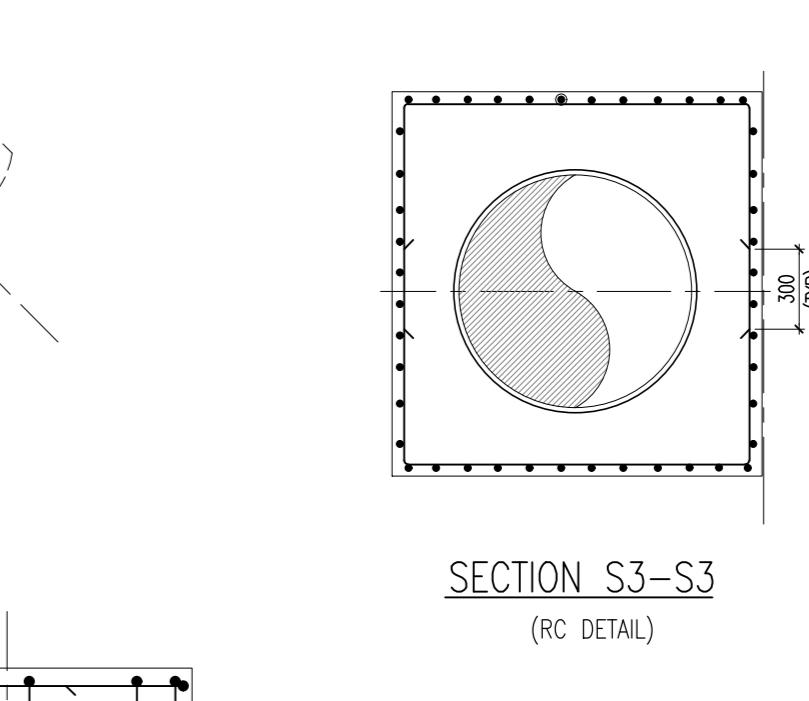
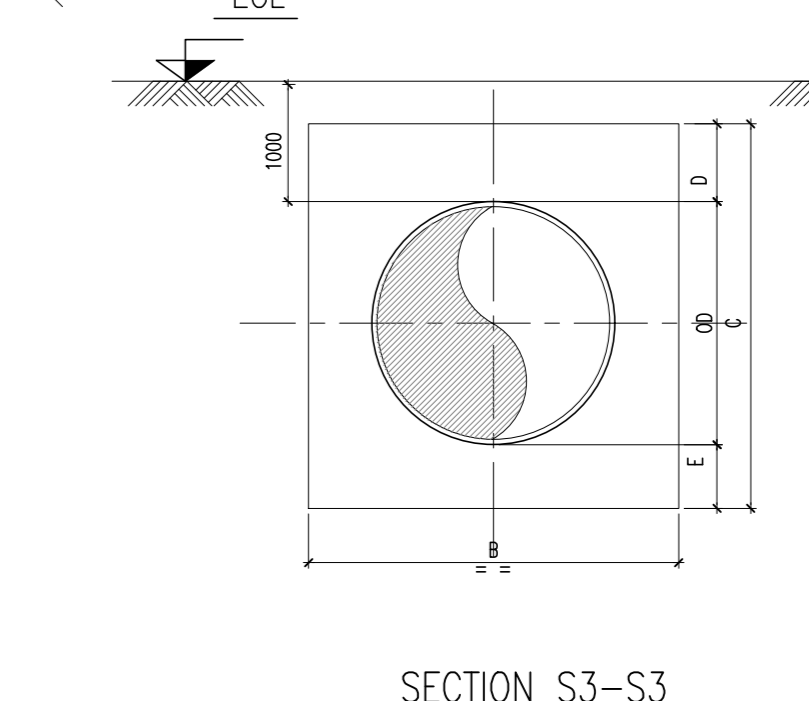
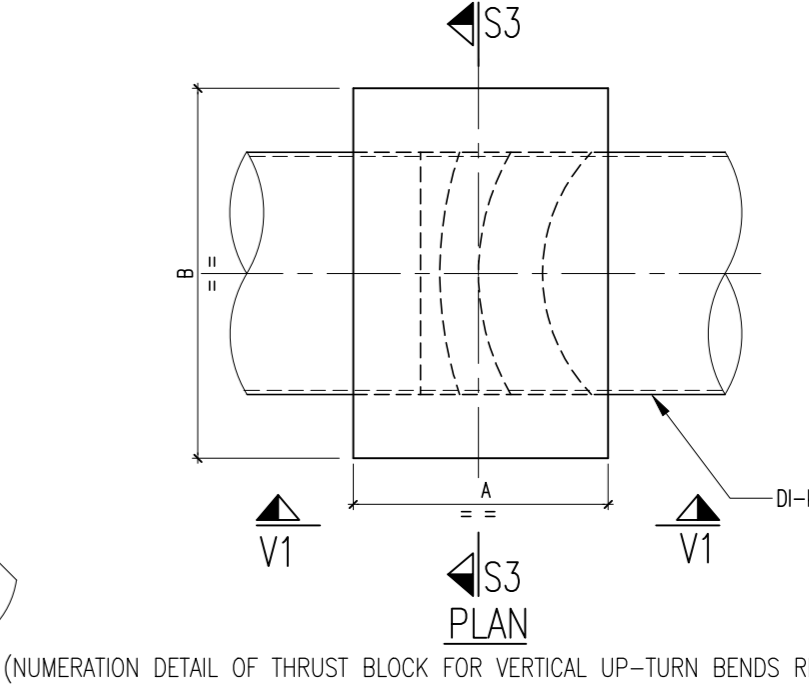
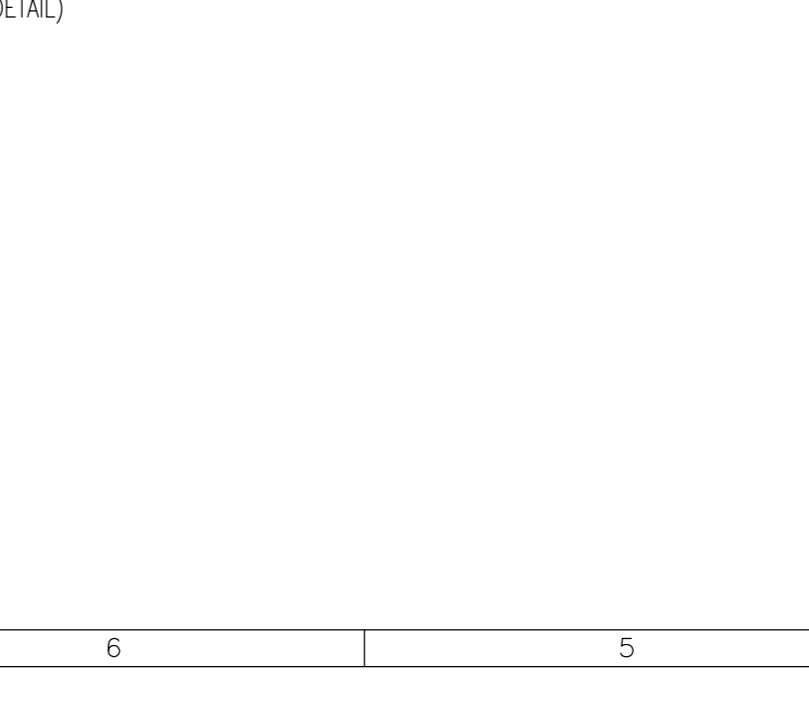
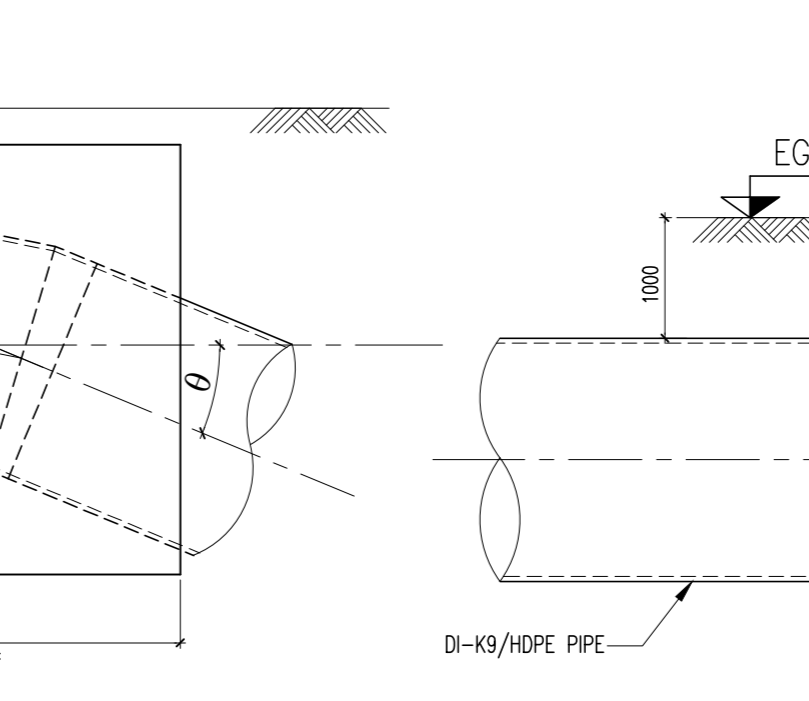
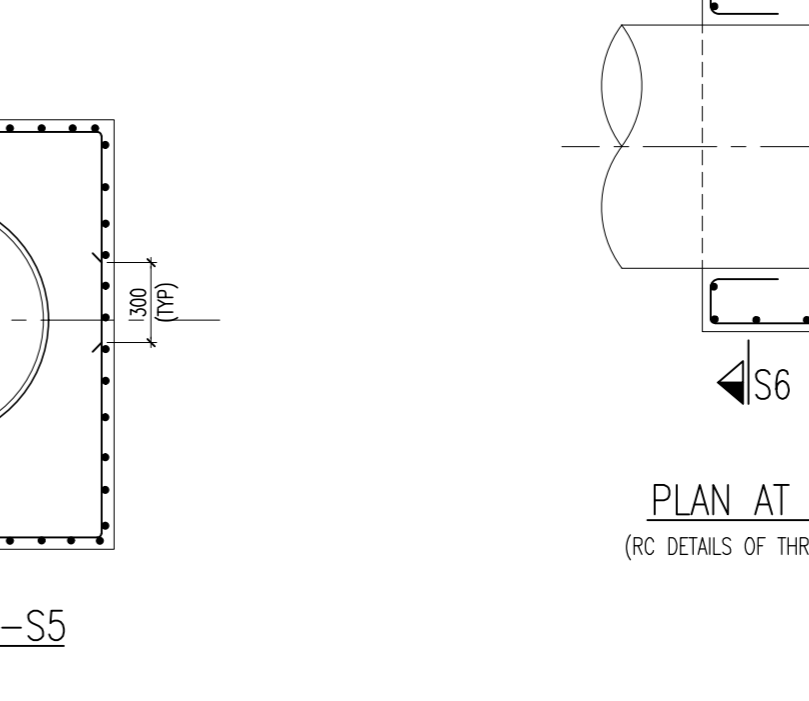
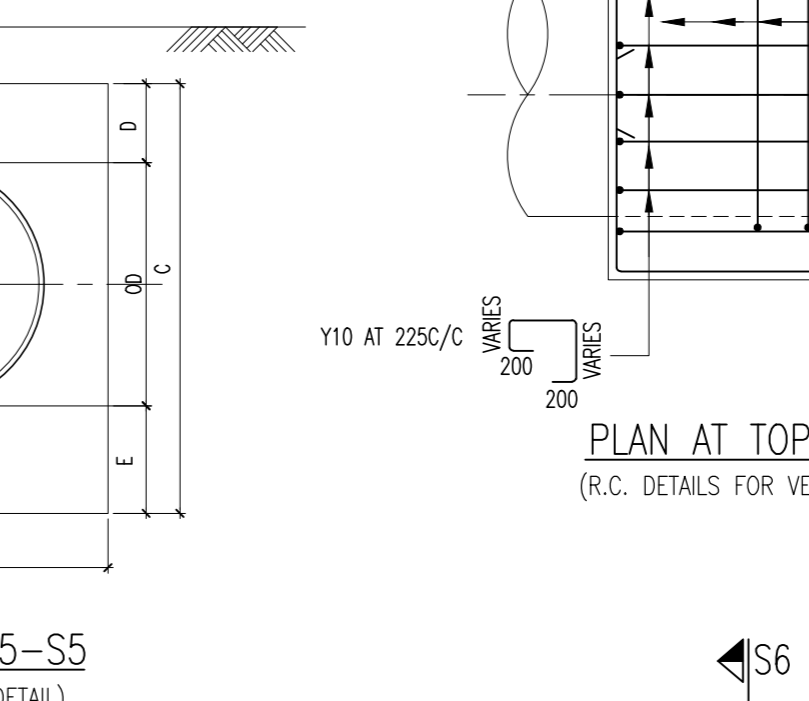
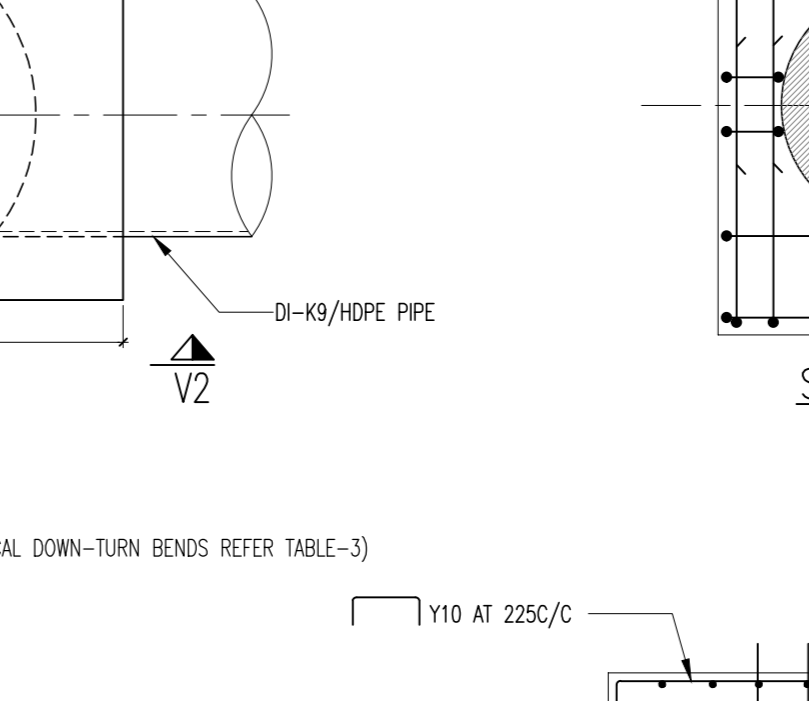
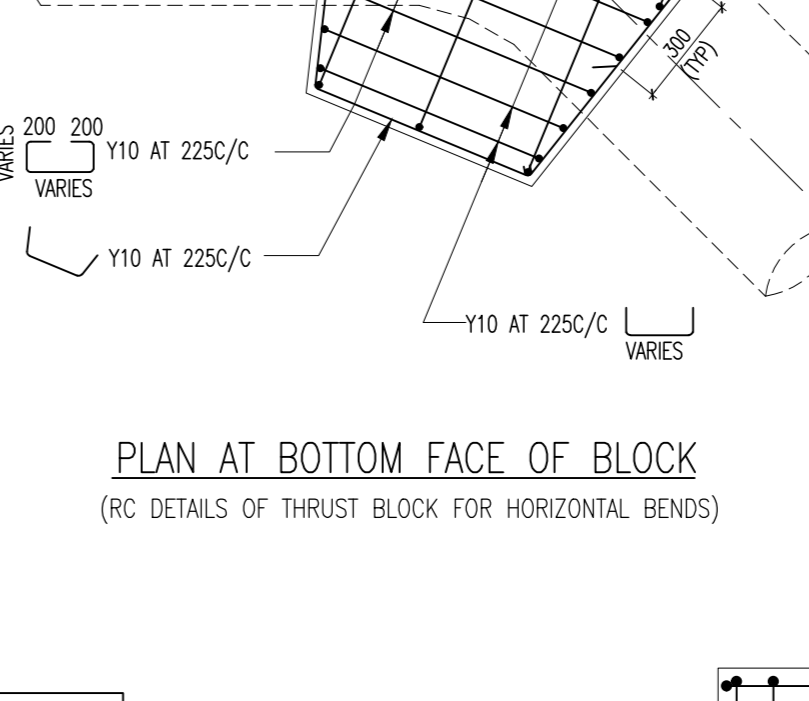
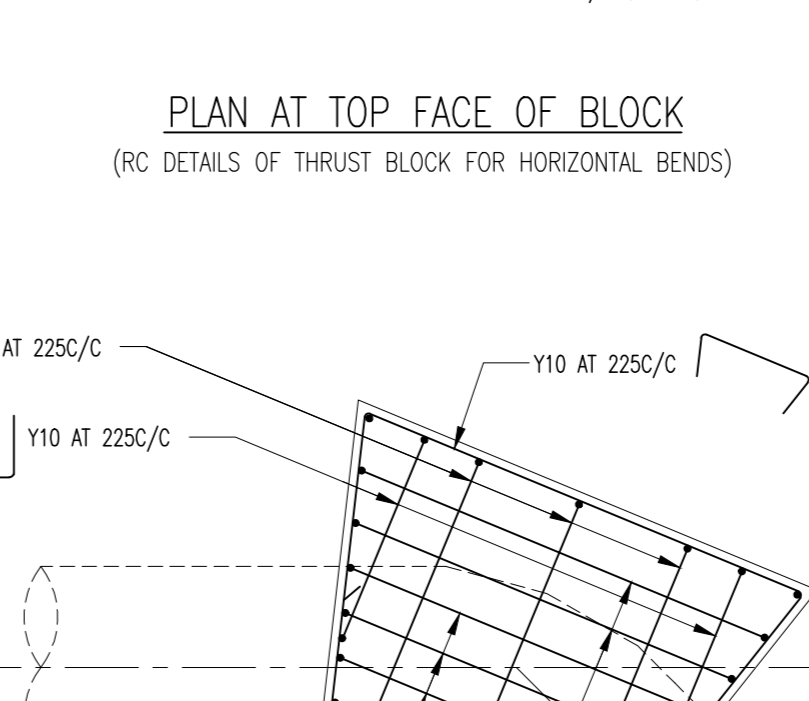
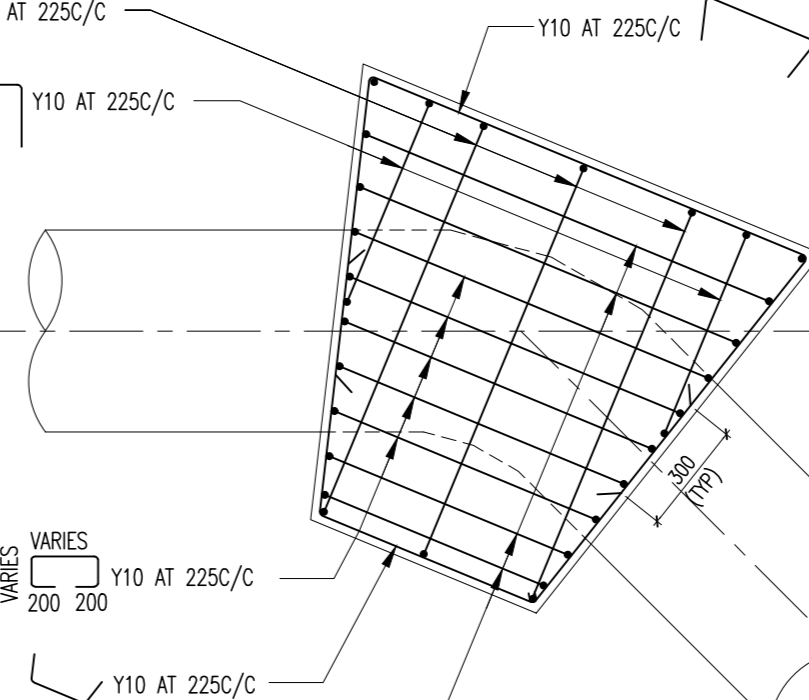
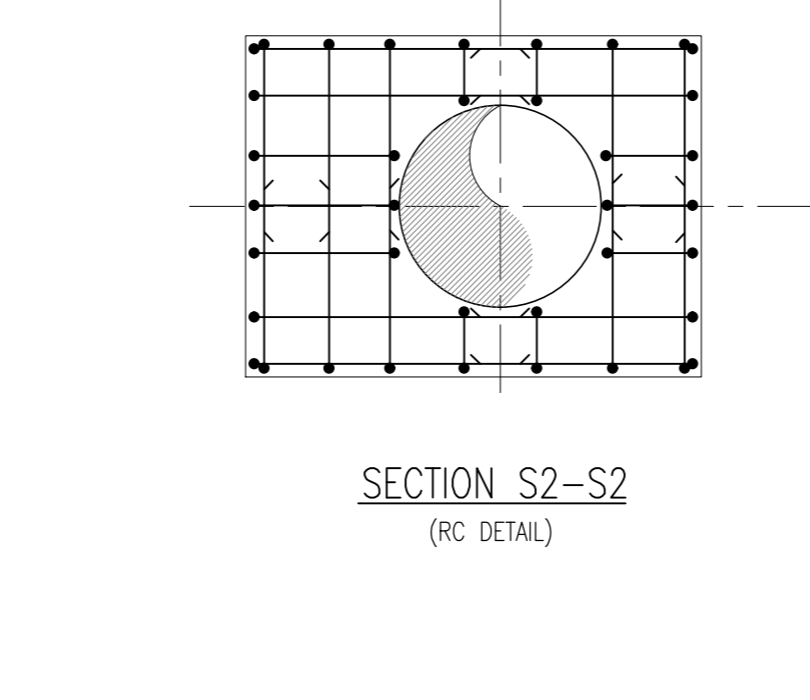
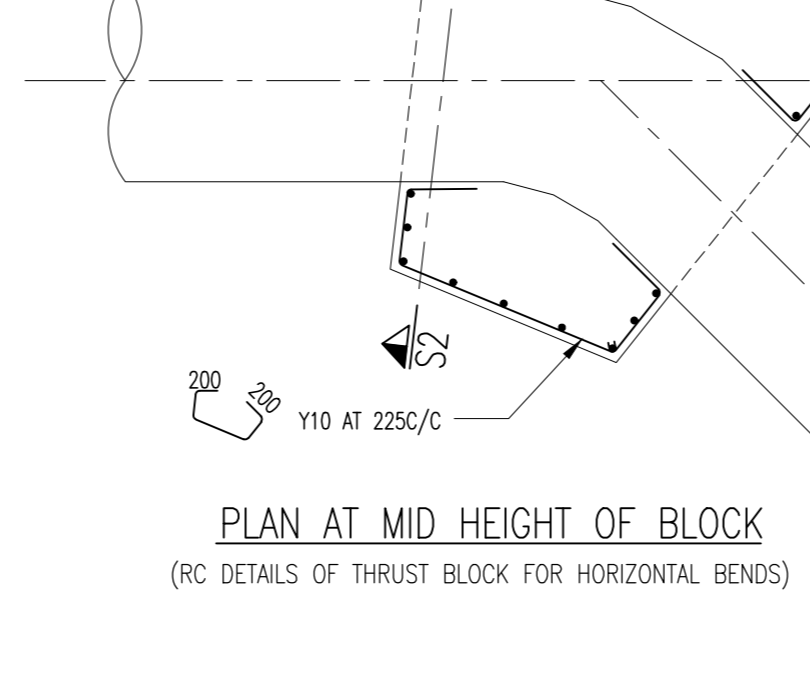
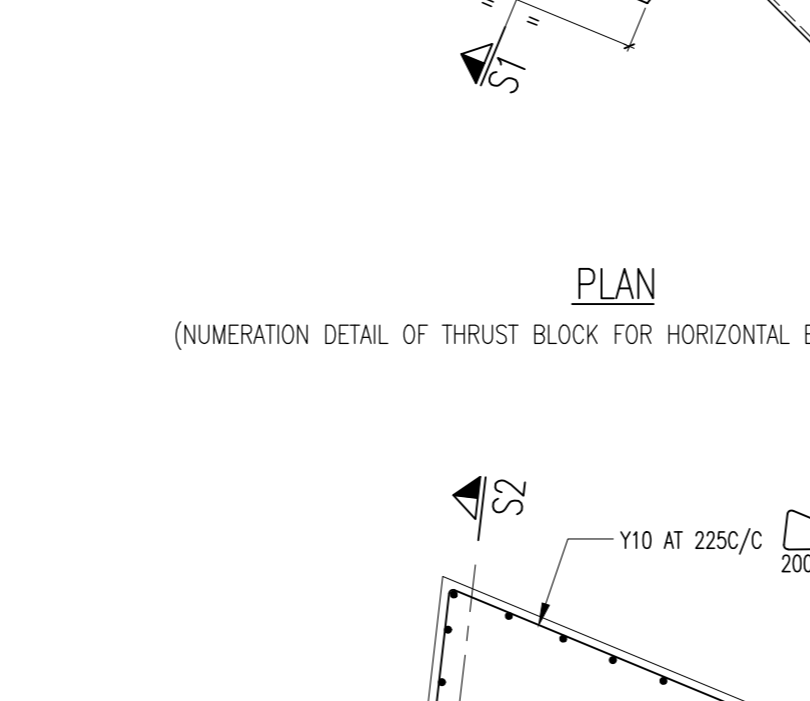
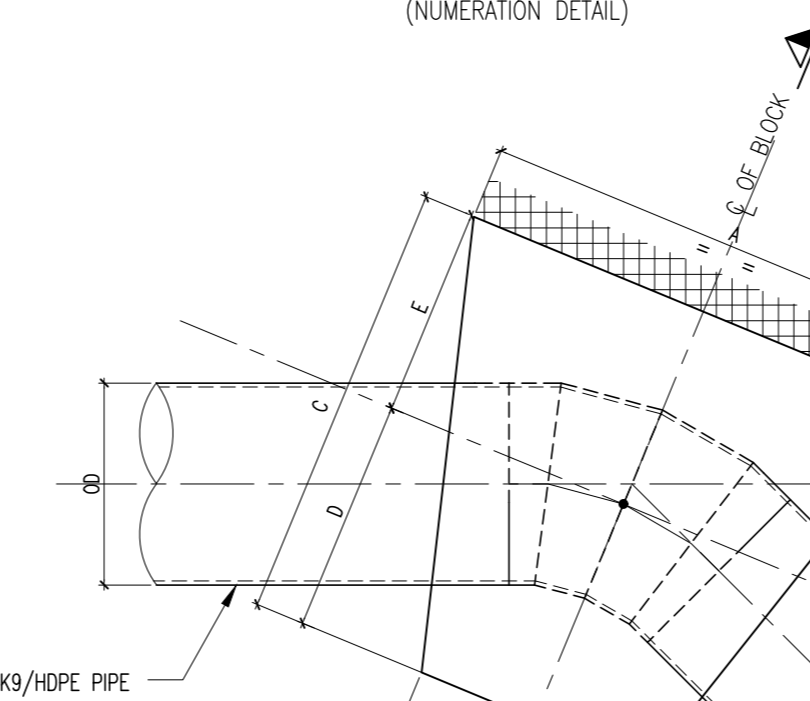
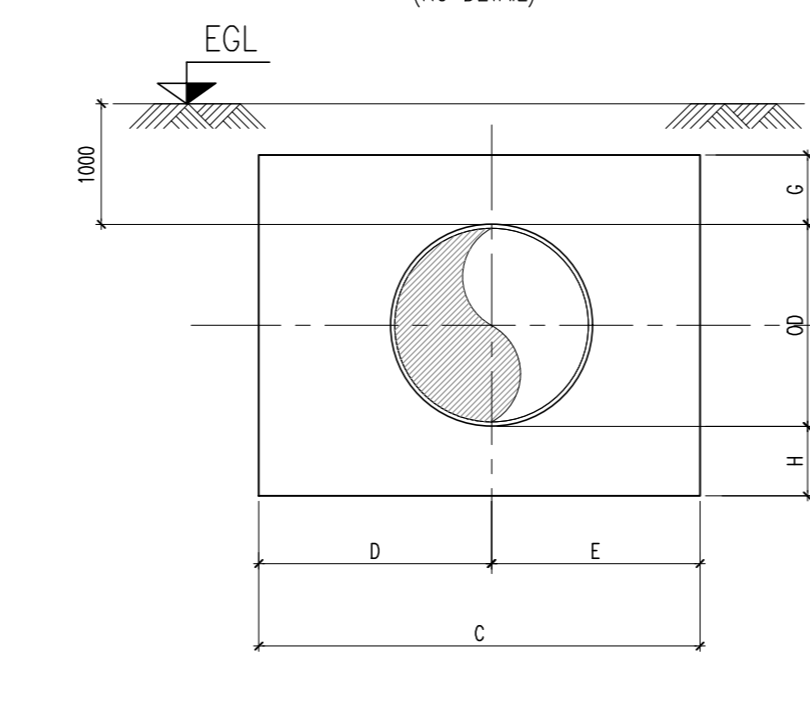
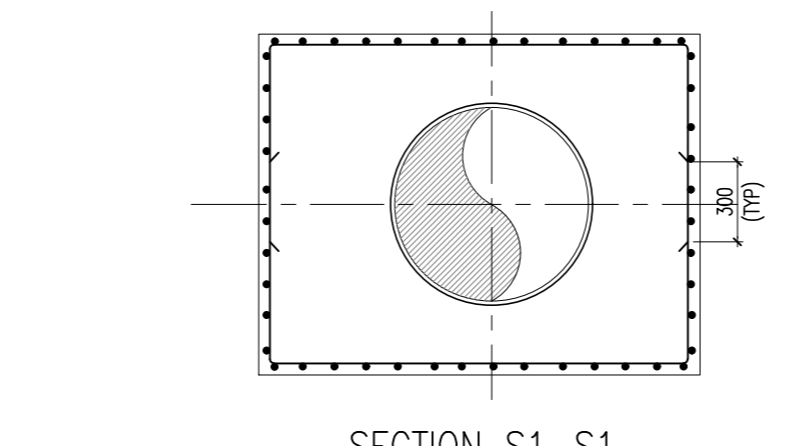
Table with 10 columns: Pipe dia (mm), Pipe OD (mm), Angle (degrees), A (mm), B (mm), C (mm), D (mm), E (mm), F (mm), G (mm), H (mm). Rows include pipe sizes 63, 75, 90, 110, 125, 140.

Table with 10 columns: Pipe dia (mm), Pipe OD (mm), Angle (degrees), A (mm), B (mm), C (mm), D (mm), E (mm), F (mm), G (mm), H (mm). Rows include pipe sizes 63, 75, 90, 110, 125, 140.

Table with 10 columns: Pipe dia (mm), Pipe OD (mm), Angle (degrees), A (mm), B (mm), C (mm), D (mm), E (mm), F (mm), G (mm), H (mm). Rows include pipe sizes 63, 75, 90, 110, 125, 140.

TABLE 1
Horizontal bend for HDPE pipe-10kg/cm2

Table with 10 columns: Pipe dia (mm), Pipe OD (mm), Angle (degrees), A (mm), B (mm), C (mm), D (mm), E (mm), F (mm), G (mm), H (mm). Rows include pipe sizes 63, 75, 90, 110, 125, 140.



LEGEND
EGL - EXISTING GROUND LEVEL
OD - OUTER DIAMETER

- NOTES
1. ALL DIMENSIONS ARE IN MM AND LEVELS ARE IN METRES.
2. GRADE OF CONCRETE SHALL BE M20.
3. ALL REINFORCEMENT BARS SHALL BE HYSD BARS OF GRADE Fe 415 CONFORMING TO IS:1786 - 1985.
4. THRUST BLOCK SHALL BE CAST AGAINST THE UNDISTURBED FACE OF EXCAVATED TRENCH.
5. SOIL BENEATH AND BY THE SIDE OF THRUST BLOCK WHICH ULTIMATELY BEARS THRUST THROUGH CONCRETE MEDIUM MUST REMAIN UNDISTURBED. IN CASE OF ANY EXTRA EXCAVATION IS DONE IN TRENCHES BELOW THE BASE OF THRUST BLOCK AND THRUST FACE SIDE, THE GAP/DIFFERENCE SHALL BE FILLED WITH M15.
6. PIPE AND SPECIALS SHALL BE SUITABLY SUPPORTED WHILE CONCRETING THE THRUST BLOCK.
7. TESTING OF PUMPING MAN SHALL BE DONE AFTER CASTING OF THRUST BLOCKS AND COMPACTION OF BACK FILLING.

Approval table with columns: REV, FOR APPROVAL, DESCRIPTION, DESIGNED, DRAWN, CHECKED, APPROVED. Includes L&T Construction logo and project details.

Checked by table with columns: CIVIL & STRUCTURAL, MECHANICAL, ELECTRICAL, INSTRUMENTATION. Includes project title and scale.